



LR2

OWNER'S HANDBOOK

Publication Part No. LRL 18 02 56 901

This handbook forms part of the Owner literature supplied with your new vehicle. Left-hand drive and right-hand drive conditions may be shown in the graphics and where information is specific to a particular country, it is indicated as such.

The **Quick start** section is designed to rapidly familiarise the driver with the initial set up and also explain some of the unique features. Please take the time to study the operating instructions with your vehicle as soon as you can.

Important

The information contained in this handbook covers all vehicle derivatives and optional equipment. Some of the options may not be fitted to your vehicle unless they formed part of the original vehicle specification. Therefore some parts of this handbook may not apply to your vehicle. Furthermore, due to printing cycles, it may include descriptions of options before they become generally available.

The information contained in this publication was correct when it went to print. Vehicle design changes may have been made after this handbook was printed. When this occurs a handbook supplement is added to the literature pack. Subsequent updates can be viewed on the Land Rover Internet site at; **www.ownerinfo.landrover.com**.

In the interest of development, the right is reserved to change specifications, design or equipment at any time without notice and without incurring any obligations. This publication, or part thereof, may not be reproduced nor translated without our approval. Errors and omissions excepted.

© Land Rover 2007

All rights reserved.

Published by Land Rover Technical Communications.

Contents

Quick start

REMOTE CONTROL	7
ENGINE STARTING	8
MASTER LOCK AND UNLOCK SWITCHES	8
TAILDOOR	9
HOOD.....	9
POWER OPERATED SEAT ADJUSTMENT	9
DRIVING POSITION MEMORY.....	10
WINDOWS AND DOOR MIRRORS	10
STEERING COLUMN	11
OVERHEAD CONSOLE	11
SEAT BELTS AND CHILD RESTRAINTS	12
PASSENGER AIR BAG.....	12
AUTOMATIC CLIMATE CONTROL	13
FACIA.....	14
INSTRUMENT PACK	15
WARNING INDICATORS (ATTENTION)	16
WARNING INDICATORS (INFORMATION)	17
INFORMATION MESSAGES	17
WIPERS AND WASHERS	17
EXTERIOR LIGHTING.....	18
GEARSHIFT INTERLOCKS.....	18
AUTOMATIC TRANSMISSION.....	19
CRUISE CONTROL	20
HILL DESCENT CONTROL (HDC).....	20
TERRAIN RESPONSE SYSTEM.....	21
PARKING AID.....	21
AUDIO SYSTEM	22
RADIO OPERATION	23
SATELLITE RADIO	23
CD OPERATION	24
CLOCK SETTING	24
TELEPHONE - BLUETOOTH SYSTEM.....	25

Filling station information

FILLING STATION INFORMATION.....	26
----------------------------------	----

Introduction

REPORTING SAFETY DEFECTS.....	28
DATA RECORDING.....	28
SYMBOLS GLOSSARY.....	29
LABEL LOCATIONS.....	29
HEALTH AND SAFETY.....	30
DISABILITY MODIFICATIONS	31
PARTS AND ACCESSORIES.....	31

Keys and remote controls

USING THE KEY.....	34
GENERAL INFORMATION ON RADIO FREQUENCIES	35
USING THE REMOTE CONTROL	35

Locks

LOCKING AND UNLOCKING	37
LOCKING AND UNLOCKING FROM INSIDE THE VEHICLE	37

Alarm

ARMING THE ALARM.....	38
DISARMING THE ALARM	38

Seats

SITTING IN THE CORRECT POSITION	39
ELECTRIC SEATS	40
HEAD RESTRAINTS.....	42
REAR SEATS	42
HEATED SEATS	44

Seat belts

PRINCIPLE OF OPERATION.....	45
SEAT BELT REMINDER	47
FASTENING THE SEAT BELTS	47
SEAT BELT HEIGHT ADJUSTMENT	47
USING SEAT BELTS DURING PREGNANCY....	48

Supplementary restraints system

PRINCIPLE OF OPERATION.....	49
OCCUPANT SENSING	52
AIR BAG WARNING LAMP	53
AIR BAG SERVICE INFORMATION.....	54

Child safety

CHILD SEATS	55
CHILD RESTRAINT CHECK LISTS	56
BOOSTER CUSHIONS.....	57
LATCH ANCHOR POINTS.....	57
CHILD SAFETY LOCKS	59

Steering wheel

ADJUSTING THE STEERING WHEEL	60
AUDIO CONTROL	60

Contents

Lighting

LIGHTING CONTROL	62
FRONT FOG LAMPS.....	63
REAR FOG LAMPS.....	63
HAZARD WARNING FLASHERS.....	63
ADAPTIVE FRONT LIGHTING SYSTEM (AFS) ..	64
DIRECTION INDICATORS	64
INTERIOR LAMPS	65
APPROACH LAMPS	65
CHANGING A BULB	66
BULB SPECIFICATION CHART.....	76

Wipers and washers

WINDSHIELD WIPERS	77
RAIN SENSOR	78
WINDSHIELD WASHERS.....	79
HEADLAMP WASHERS.....	79
REAR WINDOW WIPER AND WASHERS.....	79
ADJUSTING THE WINDSHIELD WASHER JETS ..	80
CHECKING THE WIPER BLADES	80
CHANGING THE WIPER BLADES.....	81

Windows and mirrors

ELECTRIC WINDOWS	83
ELECTRIC EXTERIOR MIRRORS	85
INTERIOR MIRROR	86

Instruments

INSTRUMENT PANEL OVERVIEW	87
---------------------------------	----

Information displays

TRIP COMPUTER	89
INFORMATION MESSAGES	89

Climate control

PRINCIPLE OF OPERATION.....	91
AUTOMATIC CLIMATE CONTROL.....	92
AIR VENTS	95
HEATED MIRRORS.....	95
ELECTRIC SUNROOF.....	95

Convenience features

CLOCK.....	98
SUN VISORS	99
CIGAR LIGHTER	99
ASHTRAY	99

AUXILIARY POWER SOCKETS.....	100
CUP HOLDERS.....	101
STORAGE COMPARTMENTS.....	102

Starting the engine

GENERAL INFORMATION.....	104
STARTING A PETROL ENGINE	105

Transmission

AUTOMATIC TRANSMISSION.....	106
TECHNICAL SPECIFICATIONS.....	109

Brakes

PRINCIPLE OF OPERATION	110
HINTS ON DRIVING WITH ABS.....	110
PARKING BRAKE.....	111

Parking aid

PRINCIPLE OF OPERATION	113
USING THE PARKING AID.....	114

Driving hints

GENERAL DRIVING POINTS.....	115
REDUCED ENGINE PERFORMANCE.....	115
RUNNING-IN	115
ECONOMICAL DRIVING	116

Cruise control

PRINCIPLE OF OPERATION	117
USING CRUISE CONTROL.....	117

Terrain response

PRINCIPLE OF OPERATION	119
USING TERRAIN RESPONSE	119

Hill descent control (HDC)

PRINCIPLE OF OPERATION	123
USING HDC	123

Traction control

USING TRACTION CONTROL	126
------------------------------	-----

Stability control

PRINCIPLE OF OPERATION	127
USING STABILITY CONTROL	128

Contents

Fuel and refuelling

SAFETY PRECAUTIONS	129
FUEL QUALITY	129
RUNNING OUT OF FUEL	130
FUEL CUT-OFF	131
FUEL FILLER FLAP	131
REFUELLING	132

Load carrying

GENERAL INFORMATION	133
LUGGAGE ANCHOR POINTS	134
LUGGAGE COVERS	134

Towing

TOWING A TRAILER	136
LEVELLING	137
RECOMMENDED TOWING WEIGHTS	138
ESSENTIAL TOWING CHECKS	139
TOW BAR	139

Vehicle care

CLEANING THE ALLOY WHEELS	140
CLEANING THE EXTERIOR	140
CLEANING THE INTERIOR	141
REPAIRING MINOR PAINT DAMAGE	142

Maintenance

GENERAL INFORMATION	143
OPENING AND CLOSING THE HOOD	146
ENGINE COMPARTMENT OVERVIEW	147
ENGINE OIL CHECK	148
ENGINE COOLANT CHECK	150
BRAKE FLUID CHECK	151
POWER STEERING FLUID CHECK	153
WASHER FLUID CHECK	154
TECHNICAL SPECIFICATIONS	155

Vehicle battery

BATTERY WARNING SYMBOLS	157
BATTERY CARE	157
USING BOOSTER CABLES	159
CHARGING THE VEHICLE BATTERY	160
CHANGING THE VEHICLE BATTERY	160

Wheels and tires

GENERAL INFORMATION	162
TIRE INFORMATION LABELS	164

UNIFORM TIRE QUALITY GRADING	166
CHANGING A ROAD WHEEL	167
TOOL KIT	170
TIRE REPAIR KIT	171
TIRE CARE	176
USING WINTER TIRES	182
USING TRACTION DEVICES	182
TIRE PRESSURE MONITORING SYSTEM (TPMS) 183	
PRODUCTION OPTION WEIGHTS	186
TIRE GLOSSARY	186
TECHNICAL SPECIFICATIONS	188

Fuses

CHANGING A FUSE	189
FUSE BOX LOCATIONS	190
ENGINE COMPARTMENT FUSE BOX	191
PASSENGER COMPARTMENT FUSE BOX ...	195
LUGGAGE COMPARTMENT FUSE BOX	198

Emergency equipment

HAZARD WARNING FLASHERS	201
WARNING TRIANGLE	201

Status after a collision

DRIVING AFTER A COLLISION	202
INSPECTING SAFETY SYSTEM COMPONENTS ... 203	

Vehicle recovery

TOWING POINTS	204
LASHING POINTS	205
TRANSPORTING THE VEHICLE	205
TOWING THE VEHICLE ON FOUR WHEELS ..	205

Vehicle identification

VEHICLE IDENTIFICATION PLATE	207
VEHICLE IDENTIFICATION NUMBER (VIN) ..	207

Technical specifications

ENGINE SPECIFICATIONS	208
WEIGHTS	208
DIMENSIONS	209

Type approvals

TYPE APPROVALS	210
----------------------	-----

Contents

Audio introduction

RADIO RECEPTION..... 212

Audio unit overview

AUDIO UNIT OVERVIEW..... 213

Audio unit operation

ON/OFF CONTROL..... 215

VOLUME CONTROL..... 215

AUDIO CONTROL..... 215

WAVEBAND BUTTON..... 216

AUTOSTORE CONTROL..... 216

STATION PRESET BUTTONS..... 217

Audio unit menus

RADIO BROADCAST DATA SYSTEM (RBDS) 218

ALTERNATIVE FREQUENCIES..... 218

PRIORITY PROGRAMME TYPE (PTY)..... 218

RESETTING THE AUDIO UNIT..... 220

Satellite radio

GENERAL INFORMATION..... 222

RADIO CONTROLS..... 223

SUBSCRIPTION..... 224

RADIO DISPLAY..... 225

RECEIVING RADIO BROADCASTS..... 226

MENU FUNCTIONS..... 229

Compact disc player

LOADING COMPACT DISCS..... 236

EJECTING COMPACT DISCS..... 237

EJECTING MULTIPLE COMPACT DISCS..... 237

COMPACT DISC SELECTION..... 237

COMPACT DISC PLAYBACK..... 237

TRACK SELECTION..... 237

COMPACT DISC PAUSE..... 237

FAST FORWARD/REVERSE..... 238

COMPACT DISC FUNCTION MENU..... 238

COMPACT DISC DISPLAY OPTIONS..... 238

SHUFFLE/RANDOM..... 239

COMPACT DISC TRACK SCANNING..... 239

MP3 FILE PLAYBACK..... 240

Auxiliary input (AUX IN) socket

AUXILIARY INPUT (AUX IN) SOCKET..... 241

Rear passenger controls

REAR SEAT CONTROLS..... 243

HEADPHONES..... 244

Telephone

GENERAL INFORMATION..... 245

TELEPHONE CONTROLS..... 246

BLUETOOTH SETUP..... 247

TELEPHONE SETUP..... 249

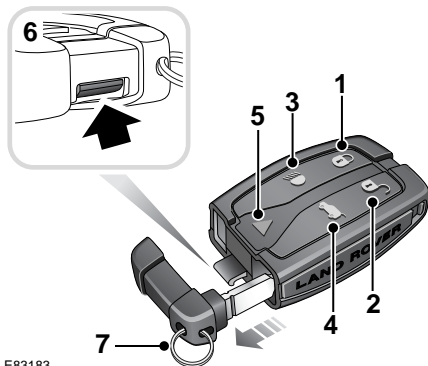
USING THE TELEPHONE..... 252

PHONEBOOK..... 257

TELEPHONE VOICE CONTROL..... 261

Quick start

REMOTE CONTROL



E83183

- 1. Lock button.**
Press once to lock the vehicle and arm the alarm.
- 2. Unlock button.**
Press once to disarm the alarm and unlock the driver's door and taildoor. Press again to unlock the passenger doors.
- 3. Approach lighting button.**
Press once to switch the headlamps, position lamps, and license plate lamps on for a short period. Press again to switch off. See **APPROACH LAMPS** (page 65).
- 4. Taildoor release.**
Press to release the taildoor.
- 5. Panic alarm.**
Press twice in three seconds to activate the panic alarm. After five seconds, press the button twice within three seconds to cancel the alarm.
- 6. Press the release tab on the remote control to release the emergency key blade.**
- 7. Pull the key ring attachment to remove the key blade.**

Single point entry

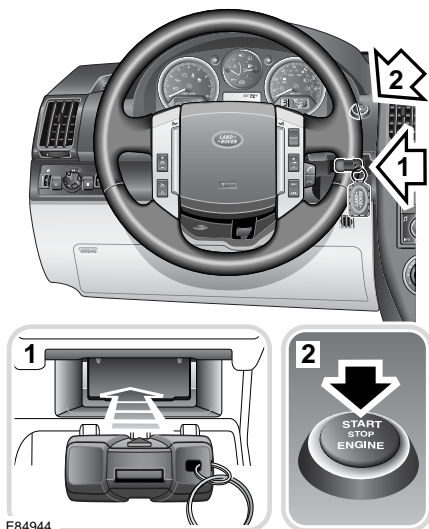
This is a security feature that unlocks only the driver's door and taildoor. It can be disabled on individual remote controls by unlocking the vehicle then simultaneously pressing and holding the lock and unlock buttons for three seconds. The vehicle will lock and then unlock in the currently selected mode and the hazard warning lamps will flash twice to confirm the change.

You can now unlock all doors with a single press. Repeating the procedure will re-enable Single point entry.

Further information is available within the main body of the handbook. See **USING THE REMOTE CONTROL** (page 35).

Quick start

ENGINE STARTING



E84944

The **START STOP ENGINE** button 2 is only operational when a recognised remote control is inserted (docked) into the starter control unit 1 (buttons facing upwards).

Insert the remote control into the docking port (buttons facing upwards) and press to latch. To remove, press the remote control to unlatch and release.

Remote control unit removal

Press the remote control to unlatch and release from the starter control unit. Remove by gripping the sides of the remote control.

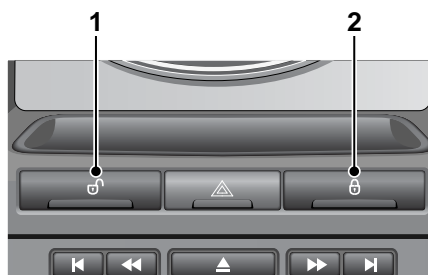
Ignition only

- Press and hold the **START STOP ENGINE** button until the warning indicators illuminate, to switch on the ignition.
- Pressing the button again will switch off the ignition.

Engine start/stop

- With the brake pedal firmly depressed and the gear selector in **P** (park) or **N** (neutral), briefly press and release the **START STOP ENGINE** button to start the engine.
- Press the button again to stop the engine and switch off the ignition.

MASTER LOCK AND UNLOCK SWITCHES



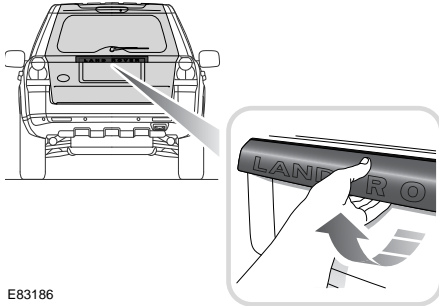
E83185

1. Press and hold to unlock all doors and taildoor.
2. Press and hold to lock all doors and taildoor.

Press and hold both buttons for three seconds to release the taildoor.

Quick start

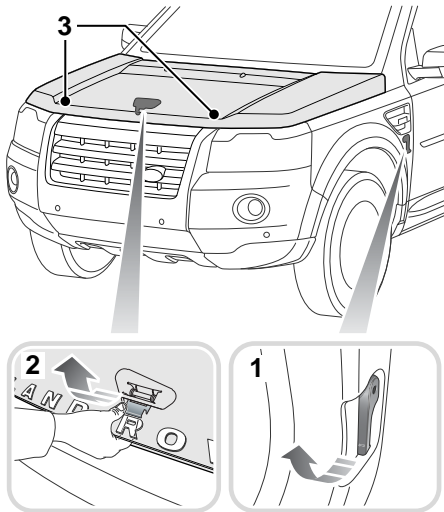
TAILDOOR



E83186

With the vehicle unlocked, press the release switch on the underside of the exterior handle and pull to open.

HOOD



E83187

Opening

Pull the hood release lever **1**.

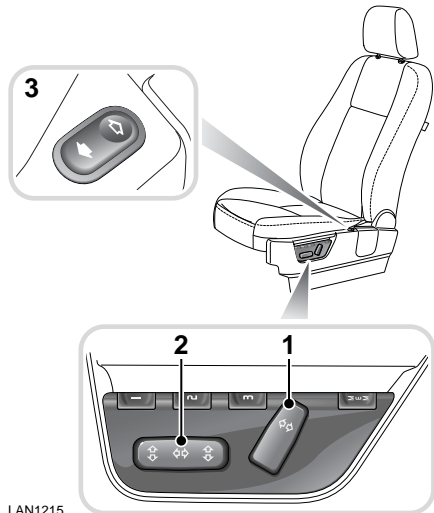
Lift the hood safety catch lever **2**, and raise the hood.

Closing

Lower the hood until the safety catch engages. Using both hands, press the hood down until the catches click.

Check that both catches **3** are engaged by trying to lift the front edge of the hood.

POWER OPERATED SEAT ADJUSTMENT



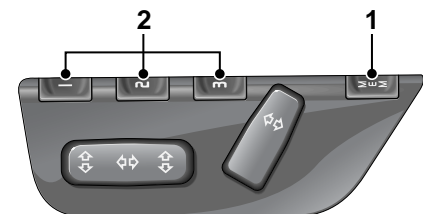
LAN1215

1. Backrest adjustment switch.
2. Seat forward/backwards, cushion height and cushion tilt control switch.
3. Lower backrest lumbar support switch.

Where ever possible the seats should be adjusted with the engine running. In addition, the seats have an active period that is initiated when the driver's door is opened and closed or the remote control is removed from the docking port.

Quick start

DRIVING POSITION MEMORY



LAN1052

Once you have adjusted the power operated driver's seat and exterior mirrors for your ideal driving position, the vehicle can memorize these settings for future use.

Make sure the remote control is in the docking port, the ignition is on, then:

1. Press the memory store button to activate the memory function.
2. Press one of the preset buttons within five seconds to memorize the current settings. **MEMORY STORED** will be displayed on the message centre accompanied by an audible chime to confirm the settings have been memorized.
3. To recall a stored position press the relevant preset button.

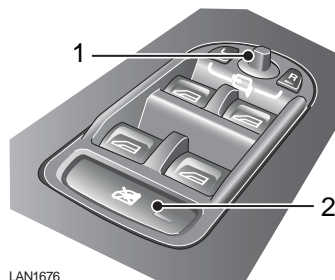
Operating note

A seat position will only be memorized during the five second active period.

Any existing settings will be over-written when programming a memory position.

WINDOWS AND DOOR MIRRORS

To operate the windows and door mirrors, the remote control must be in the docking port and the ignition on.



LAN1676

Windows

- To open a window, press and hold the respective switch.
- To close the window, pull and hold the switch.

Window movement can be stopped at any time by releasing the switch.

The windows have a one touch facility that allows them to be fully opened or closed with a single operation of the switch. Fully press or pull the switch fully, and release. Movement can be stopped by briefly pressing the switch again.

Press switch **2** to inhibit the operation of the rear window switches.

Resonance with lowered windows

If a resonance or booming sound occurs when a window is open, lowering an adjacent window about 25 mm (1 inch) will eliminate the condition.

Door mirror adjustment

To adjust the mirrors, press the **L** (Left) or **R** (Right) button to select the appropriate mirror. Move the control knob **1** in any direction to adjust the position of the mirror glass.

Quick start

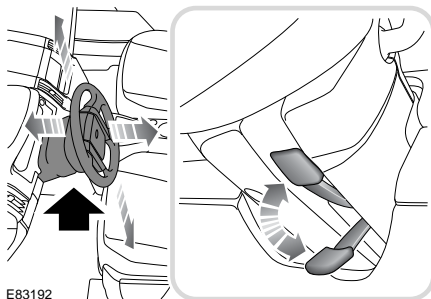
Reverse automatic mirror dip

When reverse gear is selected, the door mirrors will dip.

The dip position of the door mirrors can be personalised by adjusting when reverse gear is selected.

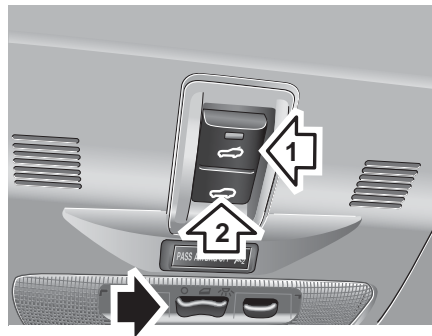
STEERING COLUMN

Adjustment



1. Move the lever located under the steering wheel fully downward.
2. Adjust the height and reach of the steering wheel to the desired position.
3. Move the lever fully up to lock the position of the wheel.

OVERHEAD CONSOLE



LAN1683

Courtesy lamps

The front and rear courtesy lamps will operate in conjunction with the vehicle being unlocked/locked or when a door is opened.

The courtesy lamps can be manually switched on or off by the lamp switch (arrowed in the illustration). When the switch is in the centre position, the lamps operate in automatic mode.

Panoramic sunroof

To tilt the sunroof:

- Press and release the front of the switch **2** to open the sunroof to the tilt position.

To open the sunroof:

- Press and release the rear of the switch **1** to fully open the sunroof.

To close the sunroof:

- From the fully open position, press and release the front of the switch **2**.
- From the tilted position, press and hold the rear of the switch **1**.

If the sunroof is moving, it can be stopped by pressing the switch again.

Quick start

Operating note

The sunroof can only be operated with the ignition on.

SEAT BELTS AND CHILD RESTRAINTS



A warning indicator on the instrument pack will illuminate to alert you that the driver's or front passenger's seat belt is unbuckled.

Child seats

It is important to remember that the child's weight, rather than age, determines the type of seat that is required. See **CHILD SEATS** (page 55).

Recommended child seat

Land Rover strongly recommends the use of LATCH (Lower Anchors and Tethers for Children) child seats.

LATCH child seats can only be fitted in the rear outer seating positions.

PASSENGER AIR BAG



E82785

The front passenger seat is fitted with an occupancy sensor system that determines the state of seat occupancy and sets the air bag indicator, located on the overhead console, as follows:

- Seat unoccupied - air bag deactivated and indicator off.
- Seat occupied - air bag activated and indicator off.
- Seat occupied by a child seat or low weight object - air bag deactivated and indicator on.

See **OCCUPANT SENSING** (page 52).

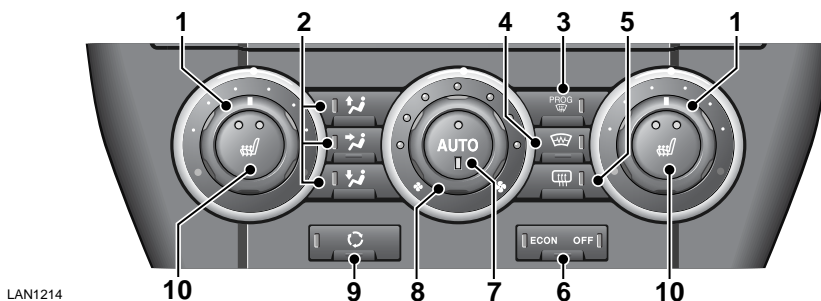
Operating note

If the indicator becomes permanently illuminated when the seat is definitely empty, please contact your Land Rover Dealer immediately.

Quick start

AUTOMATIC CLIMATE CONTROL

Controls



LAN1214

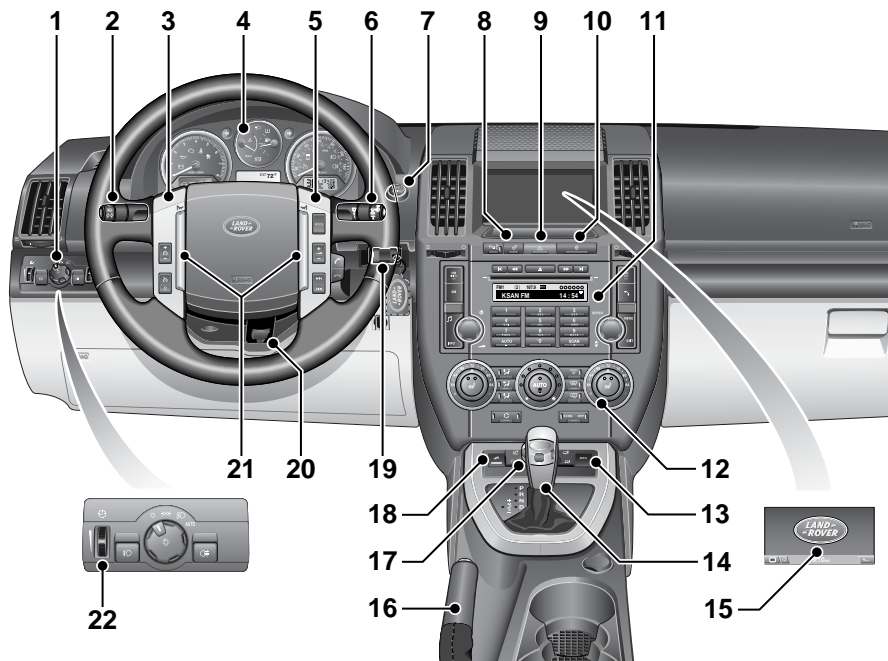
1. Left and right temperature controls, rotate either control to adjust.
2. Air distribution.
Press the relevant button to set the air distribution to the required points. It is possible to select more than one option by pressing the required combination of buttons.
3. Maximum defrost program, press to switch on/off.
4. Heated front screen, press to switch on/off.
5. Heated rear screen, press to switch on/off.
6. Economy mode/climate control system, press repeatedly to toggle between:-
 - Air conditioning on- LEDs off.
 - ECON - Economy mode. Air conditioning off.
 - Off - Climate control system off.
7. AUTO mode, press to select fully automatic operation.
8. Blower speed, rotate to adjust air flow speed through the vents. In manual mode current speed selection is indicated by an illuminated LED.
9. Recirculation, press to switch on/off.
10. Seat heaters, press to switch on/off. Press once to turn on high, twice to turn on low, and a third time to turn off.

Note: The amber tell-tale lights in the switches will illuminate when the function is selected.

Note: In low temperatures it is advisable to close the centre face level vent, and direct air flow from the outer face level vents towards the side windows. This will help to keep the windows clear of ice.

Quick start

FACIA

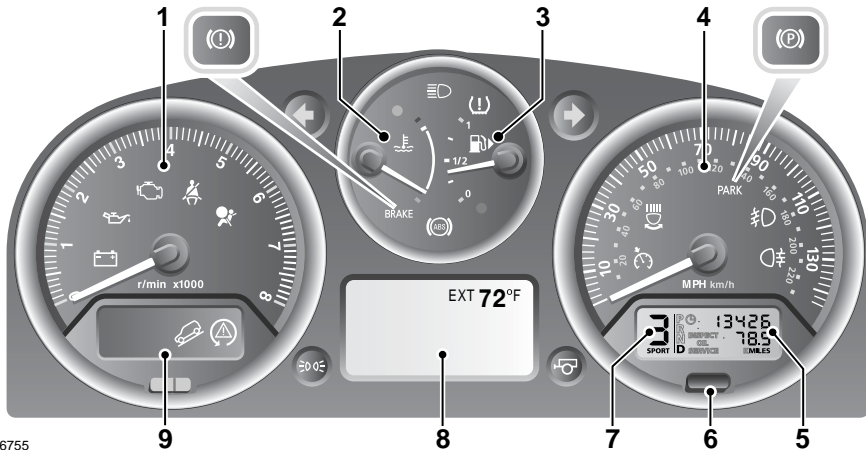


E84942

1. Exterior lamps master switch
2. Direction indicators/headlamps/trip computer switch
3. Cruise control switches
4. Instrument pack
5. Audio/telephone switches
6. Washer/wiper switch
7. Start stop engine button
8. Master unlock switch
9. Hazard warning switch
10. Master lock switch
11. Audio unit
12. Heater/air conditioning controls
13. Dynamic Stability Control (DSC) switch
14. Gear selector
15. Touch screen
16. Parking brake
17. Terrain Response control switch
18. Hill Descent Control (HDC) switch
19. Starter control unit (docking port)
20. Steering column adjustment lever
21. Horn switches
22. Facia illumination dimmer control

Quick start

INSTRUMENT PACK



E86755

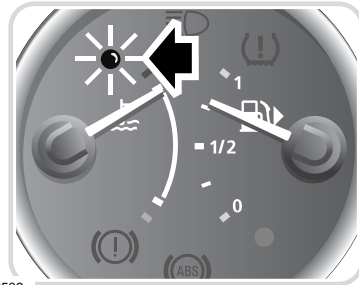
1. Tachometer
2. Temperature gauge
3. Fuel gauge
4. Speedometer
5. Total distance (odometer) and trip recorder
6. Trip recorder reset switch
7. Gear selector mode and position display
8. Main message centre
9. Tachometer indicators panel

Tachometer

Indicates engine speed in revolutions per minute (x 1 000). In normal driving conditions the engine is most fuel efficient between 2 000 and 3 000 rev/min.

Temperature gauge

At normal operating temperature, the pointer is positioned midway between the red and blue segments of the gauge (the precise position will vary according to climatic conditions).



E80509

If the pointer moves into the red segment and the red warning indicator (arrowed) illuminates, severe engine damage could occur (under these circumstances the air conditioning may switch off and engine performance may reduce to minimise engine load).

If the engine overheats, stop the vehicle as soon as safety permits. Switch the engine off and allow it to cool down. If the problem reoccurs, seek qualified assistance before continuing.

Quick start

Fuel gauge

CAUTION

- ⚠ Never allow your vehicle to run out of fuel as the resultant misfire may destroy the catalytic converter.

When the ignition is on, the pointer quickly rises to show the level of fuel in the tank.



E80510

When the amber low fuel warning indicator (arrowed) illuminates, the remaining fuel should give a range of 80 km (50 miles). The small arrow alongside the fuel pump symbol indicates the side of the vehicle on which the fuel filler is located.

Total distance (odometer) and trip recorder

Indicates the total distance travelled, and also shows the distance travelled since last reset.

Trip recorder reset switch

With the ignition on, press to reset the trip recorder back to zero.

Selected gear display

Displays the currently selected gear and operating mode.

WARNING INDICATORS (ATTENTION)

If any of the following illuminates whilst driving a fault has been detected. Refer to the individual pages given below for further information.



Battery charge indicator. See **GENERAL DRIVING POINTS** (page 115).



Low oil pressure. See **GENERAL DRIVING POINTS** (page 115).



Parking brake (USA only). See **PARKING BRAKE** (page 111).



Parking brake (Canada only). See **PARKING BRAKE** (page 111).



Brake systems (USA only). See **BRAKE FLUID CHECK** (page 151).



Brake systems (Canada only). See **BRAKE FLUID CHECK** (page 151).



Anti-lock braking system. See **HINTS ON DRIVING WITH ABS** (page 110).



Air bag system. See **AIR BAG WARNING LAMP** (page 53).



Engine. See **REDUCED ENGINE PERFORMANCE** (page 115).



Tire pressure monitoring system (TPMS). See **TIRE PRESSURE MONITORING SYSTEM (TPMS)** (page 183).



Dynamic Stability Control (DSC). See **USING STABILITY CONTROL** (page 128).



Adaptive front lighting system. See **ADAPTIVE FRONT LIGHTING SYSTEM (AFS)** (page 64).

Quick start

WARNING INDICATORS (INFORMATION)

The following will illuminate during normal driving to indicate that a particular system or feature is operating.



Seat belt reminder. See **SEAT BELT REMINDER** (page 47).



Hill Descent Control (HDC) active. See **PRINCIPLE OF OPERATION** (page 123).



Cruise control active. See **USING CRUISE CONTROL** (page 117).



Direction indicator. See **DIRECTION INDICATORS** (page 64).



Trailer direction indicator. See **TOWING A TRAILER** (page 136).



Side lamps on. See **LIGHTING CONTROL** (page 62).



Headlamp high beam on. See **LIGHTING CONTROL** (page 62).



Rear fog lamps on. See **REAR FOG LAMPS** (page 63).

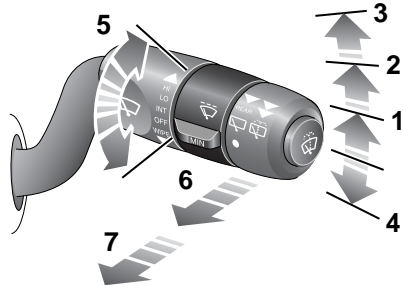


Front fog lamps on. See **FRONT FOG LAMPS** (page 63).

INFORMATION MESSAGES

Driver warning and information messages are displayed in the message centre. See **INFORMATION MESSAGES** (page 89).

WIPERS AND WASHERS



E83198

Windshield wipers

1. Intermittent wipe/rain sensor.
2. Low speed wipe.
3. High speed wipe.
4. Single wipe - pull down and release to operate.
5. Rotate control to adjust speed of intermittent wipe or sensitivity of rain sensor.

Windshield washer



Push the button on the end of the lever to operate the windshield washer.

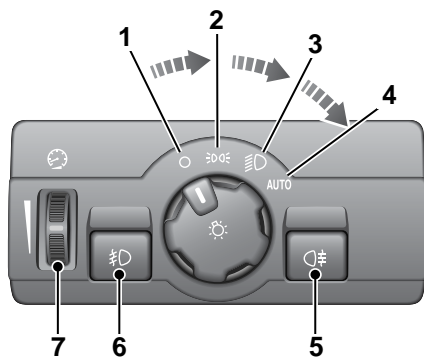
Rear wiper and washer

Pull the lever to position **6** for intermittent operation of the rear wiper. Pull and hold the lever in position **7** to operate the rear washer and wiper.

Quick start

EXTERIOR LIGHTING

Exterior lamps master switch

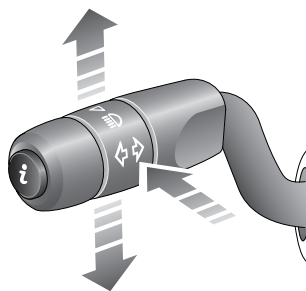


1. Exterior lamps off
2. Side lamps
3. Headlamps
4. Autolamps
 - With the switch in **AUTO** and the engine running or ignition on, a sensor monitors the exterior light levels and will automatically switch the side lamps and dipped headlamps on and off as required.
5. Rear fog lamps
6. Front fog lamps
7. Facia illumination dimmer control

Operating note

When the head lamp high beam is selected or flashed, the front fog lamps will automatically extinguish.

Direction indicators and headlamp high beam



Move the lever up or down to activate the direction indicators.

Moving the lever up or down against spring pressure and then releasing will flash the indicators three times. Useful for lane changing.



Push the lever away from you to select headlamp high beam. A warning indicator will illuminate on the instrument pack.

To flash the headlamps, pull the lever towards the steering wheel and then release.

GEARSHIFT INTERLOCKS

Park

The remote control must be inserted in the docking port, the footbrake applied and the selector release button pressed before the gear selector can be moved from **P** (Park).

Neutral

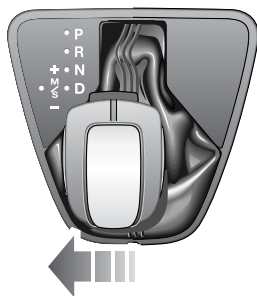
If the vehicle remains stationary with **N** (Neutral) selected, the selector lever will lock into the **N** position after 3 seconds.

Press the selector release button and apply the footbrake to move the selector lever from **N**.

Quick start

AUTOMATIC TRANSMISSION

Sports mode



E83201

In Sports mode, automatic gear changing is maintained but the gearshift changes are modified to improve performance.

To select Sports mode, move the gear selector from the **D** position towards the left-hand side of the vehicle.

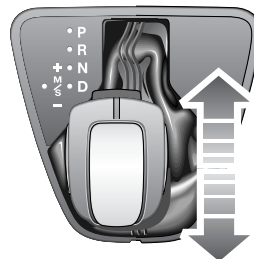
The word **SPORT** will appear on the instrument pack display and the LED in the gear selector surround will illuminate.

Operating note

Sports mode is only available when the Terrain Response General (special programs off) program is selected.

CommandShift™

CommandShift gear selection can be used as an alternative to automatic gear selection and is particularly effective when rapid acceleration or engine braking are required.



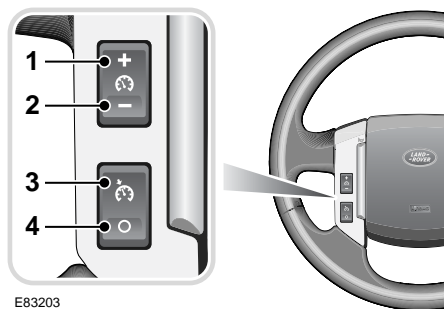
E83202

- Select Sports mode. The transmission will automatically select the gear most appropriate to the vehicle's road speed and accelerator position.
- Moving the selector lever forward (+) or backwards (-) and then releasing will manually select a higher or lower gear (when available). The message **TRANSMISSION COMMANDSHIFT SELECTED** will appear in the message centre.
- Subsequent gear selections will display the selected gear on the instrument pack display.
- To deselect CommandShift mode, move the selector lever back to the **D** position.

Quick start

CRUISE CONTROL

Cruise control enables the driver to maintain a constant road speed without using the accelerator pedal.



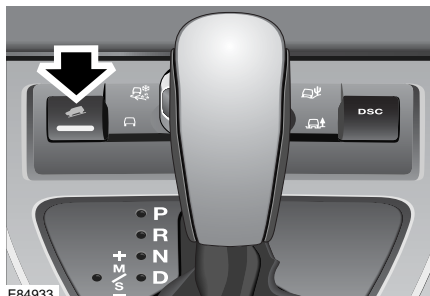
E83203

1. **+**: to set a road speed or increase the speed in 2 km/h (1 mph) steps when cruise control is operating.
2. **-**: to decrease the speed in 2 km/h (1 mph) steps when cruise control is operating.
3. **RESUME**: resumes the SET speed retained in memory.
4. **CANCEL**: cancels cruise control but retains the set speed in memory.

Operating note

Cruise control will automatically disengage when the brake pedal is used or when the vehicle speed falls below 30 km/h (18 mph).

HILL DESCENT CONTROL (HDC)



E84933

HDC operates in conjunction with the anti-lock braking system to provide greater control in off-road situations particularly when descending severe gradients.



Press the switch (arrowed in illustration) to select HDC. HDC can be selected at speeds below 80 km/h (50 mph), but will not be fully active until the vehicle speed reduces below 50 km/h (30 mph), confirmed by a continuously illuminated HDC indicator in the instrument pack. Press the switch again to deselect HDC.

Quick start

TERRAIN RESPONSE SYSTEM



The Terrain Response system, if fitted, is always active and cannot be switched off. When the vehicle is started the system will normally start in the **General** (special programs off) program.

Manual selection of a special program, by rotating the knob, will provide benefits in how the vehicle can be driven over different surfaces or terrains by automatically adjusting the vehicle's systems.

It is recommended that a special program be engaged whenever driving conditions could become difficult, and cancelled once the conditions for use are no longer present.

General (Special programs off)



Suitable for surfaces that match typical road surfaces.

Grass-Gravel-Snow



Suitable for surfaces which are firm but have a slippery surface, e.g. grass, snow, loose gravel, pebbles, or icy conditions. If the gravel is deep, the Sand program may be more beneficial.

Mud-Ruts



Suitable for soft, muddy, uneven or deeply rutted ground.

Sand



Suitable for soft, predominantly dry, yielding sandy ground, e.g. sand dunes and deserts. If the sand is damp or wet the Mud-Ruts program may be more beneficial.

Wading

When wading through water, select the program suitable for the surface beneath the water.

The maximum depth of water should not exceed 500 mm (19.7 inches).

PARKING AID

With the ignition on, the rear parking sensors are activated whenever reverse gear is selected. A short confirmation tone will sound after one second.

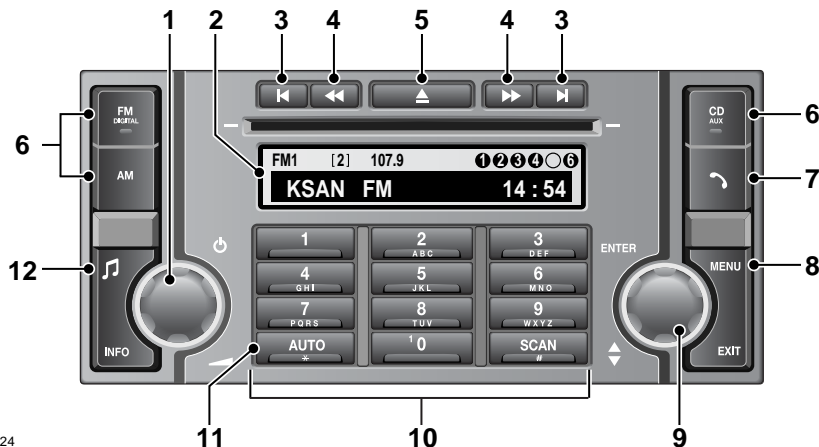
If an obstruction is detected by the sensors, an intermittent tone will sound. As the vehicle moves closer to the obstruction the intermittent tone increases in frequency.

When the distance between the sensor and the obstruction is less than approximately 30 cm (1 foot) the tone becomes continuous.

The parking aid is automatically switched off when the vehicle's forward speed exceeds 16 km/h (10 mph).

Quick start

AUDIO SYSTEM

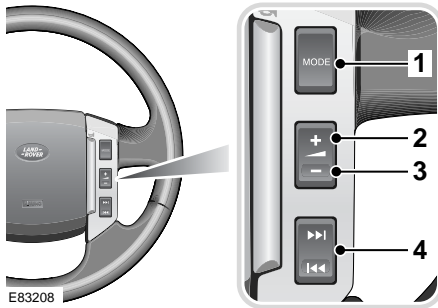


E85324

1. Press to switch audio unit on or off and rotate to adjust the volume.
2. Display screen.
3. Press to automatically search for a radio station or select a track on a CD.
4. Press to manually search for a radio station or to search in a CD track
5. Press to eject the currently selected CD.
6. Press the appropriate mode button to select FM, AM or CD.
 - Press the FM button to change between FM and Satellite radio broadcasts.
 - Press the CD button to change between CD and AUX input.
7. Telephone button.
8. Press to access the audio unit menu.
9. Rotate to scroll through menu options or radio presets. Press to select a menu item or confirm a change.
10. Press appropriate number to select required preset radio station or disc from autochanger.
11. Press and hold to automatically store radio stations. Press and release to access the autostored stations.
12. Press button repeatedly to scroll through the sound settings options. With the desired sound setting selected, rotate control **1** to adjust. Confirm new setting by pressing button **12**.

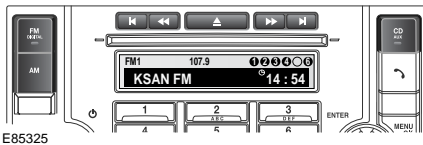
Quick start

Steering wheel controls



1. Press to switch between Radio, CD, or AUX.
2. Press to increase volume.
3. Press to decrease volume.
4. Press and release to scroll through preset radio stations or CD tracks. Press and hold for two seconds to search up or down for the next radio station/CD track.

RADIO OPERATION



Press either the **FM** or **AM** button to select the required waveband. Repeated presses of either button will scroll through the FM and AM waveband memory options.

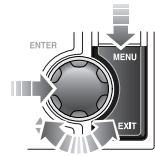
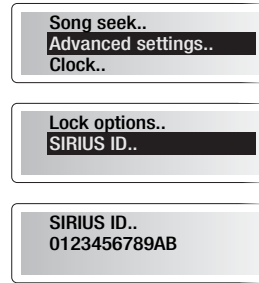
Storing radio stations

To automatically store radio stations, press and hold the **AUTO** button. The stations will be stored under the preset numbers in the selected waveband.

To recall a preset station, press and release one of the numbered preset buttons.

A selection of radio presets can be stored manually. See **STATION PRESET BUTTONS** (page 217).

SATELLITE RADIO



E86137

Satellite radio is a subscription service. To activate and use the satellite radio, you will need to call the satellite radio service provider (Sirius) and provide them with the Sirius ID of the audio unit fitted to your vehicle.

To view the Sirius ID:

1. Press and hold the **FM** button to select **SAT1**. The audio unit will default to Ch 184 or the last selected channel.
2. Press the **MENU** button and then rotate the control clockwise until **Advanced settings** is highlighted.
3. Press the rotary control to select the highlighted option.
4. Rotate the control clockwise until **SIRIUS ID** is highlighted.
5. Press the rotary control to view the ID.
6. Press and hold the **EXIT** button to exit the menu.

Quick start

Subscribing to Sirius

Ensure you are in a strong signal area by checking the reception on Ch 184.

Call Sirius on **1.888.539.SIRIUS** (7474).

Provide Sirius with your Sirius ID, details of the subscription package you require and payment details.

Wait for your subscription to be updated automatically.

CD OPERATION

Compatible disc types

The use of discs with paper labels or double-sided dual format discs (CD/DVD) should be avoided as they could become jammed.

Loading CDs

The audio unit features an integral 6-disc autochanger.

To insert a single disc, press the **CD** button then one of the number buttons (**1** to **6**). When prompted by the information display, insert the disc, label side up. The autochanger will load the CD in the selected position.

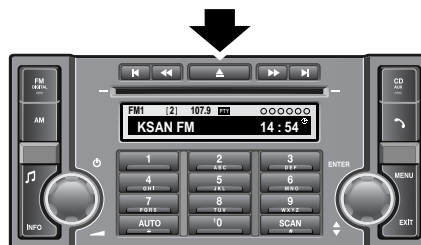
Playing CDs

When in CD mode, press the appropriate CD number (**1** to **6**) to start playing the selected disc. Playback commences and progresses sequentially through all of the loaded discs.

Playback can be paused by briefly pressing one of the other mode buttons (**FM** or **AM**).

Playback will resume when the **CD** button is pressed again.

Ejecting CDs

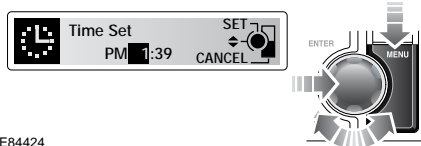


E85323

To eject a single disc, select the required disc by pressing one of the number buttons **1** to **6** and then press the eject button.

To eject all loaded discs, press and hold the eject button (arrowed), the discs will be ejected one at a time. Remove disc only when the display shows the message **Remove Disc**.

CLOCK SETTING



E84424

1. Switch on the audio system, by pressing the volume rotary control.
2. Press the **MENU** button to access the function menu.
3. Rotate the control to select **Clock** and press to confirm selection.
4. Rotate the control to adjust the hour and minutes. Press the control to confirm setting after each action. The time mode (12 or 24 hr) can also be set from this menu.
5. Once the time has been set, press the rotary control to accept the settings. Press the **EXIT** button to return to the menu.

Quick start

TELEPHONE - BLUETOOTH SYSTEM

Mobile phones with Bluetooth capability can communicate with the vehicle's inbuilt telephone feature. You must pair your Bluetooth mobile phone with the vehicle's system before use.

Mobile phone compatibility

Not all phones are fully compatible with the Land Rover system. For the latest list of compatible phones and software versions, please refer to www.ownerinfo.landrover.com. Alternatively consult your Land Rover Dealer.

Pairing a phone to the vehicle's system

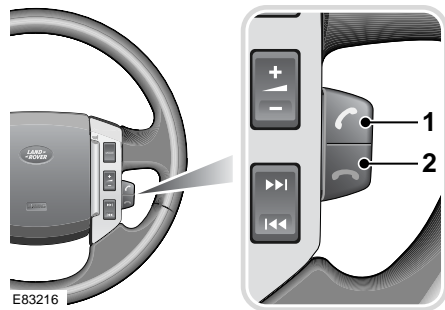
1. With the ignition on, press the telephone mode button on the audio unit.
2. When prompted, press the **ENTER** control to confirm that you want to pair a telephone to the system.
3. The system will ask you to check that your Bluetooth function on your telephone is enabled. Press the **ENTER** control to confirm. The system will then search for your telephone.
4. After the search is completed, the detected telephones will be listed. Rotate the **ENTER** control to scroll through the list and press to select the correct telephone.
5. The audio unit will then display a Bluetooth access code number. Enter this number into your telephone. The telephone will now pair to the system.
6. If the pairing fails, a message will appear on the audio unit display. Press the **ENTER** control to retry or press the **EXIT** button and restart the process.

7. To cancel the pairing process, press and hold the telephone button on the audio unit.

Operating note

If more than one paired Bluetooth phone is in range, the system will automatically select the last phone used in Bluetooth mode.

Making a call



1. With a paired handset, press the telephone mode button on the audio unit.
2. Enter the required telephone number using the numeric keypad.
3. Press and release the **ENTER** control or operate the answer call switch **1** on the steering wheel to send.

Receiving a call

To answer an incoming call, press and release the **ENTER** control on the audio unit, or operate the answer call switch **1** on the steering wheel controls.

To end, or reject an incoming call, press and release the **EXIT** button or operate the end call switch **2** on the steering wheel controls.